

# Technical data sheet



## Product features

### Hot dog machine warmer 4 spikey with basket and glass cylinder

<b>Model</b>	<b>SAP Code</b>	00005542
--------------	-----------------	----------



- Material: Aluminium
- Indicators: operation and warm-up
- Maximum device temperature [°C]: 100
- False bottom: Yes

<b>SAP Code</b>	00005542	<b>Net Weight [kg]</b>	9.00
<b>Net Width [mm]</b>	485	<b>Power electric [kW]</b>	1.100
<b>Net Depth [mm]</b>	315	<b>Loading</b>	230 V / 1N - 50 Hz
<b>Net Height [mm]</b>	353	<b>Maximum device temperature [°C]</b>	100

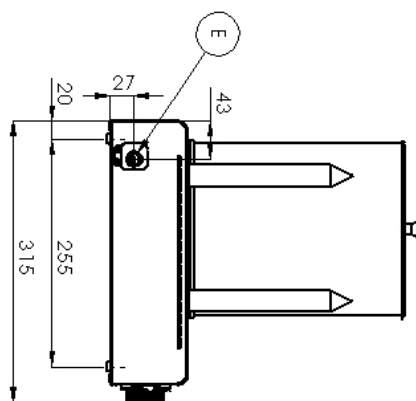
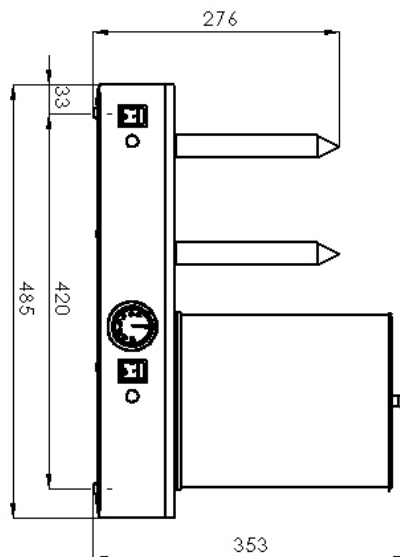
# Technical data sheet



Technical drawing

Hot dog machine warmer 4 spikey with basket and glass cylinder

Model	SAP Code	00005542
-------	----------	----------



# Technical data sheet



## Product benefits

### Hot dog machine warmer 4 spikey with basket and glass cylinder

Model

SAP Code

00005542

1

#### All-stainless design

only stainless steel intended for food contact is used

- absolutely rust-proof and non-magnetic design
- resists even weak acids easier compliance with hygiene standards (HACCP); easy maintenance and cleaning

2

#### Run and warm-up light

optical possibility to check the status of the device

- the operator immediately knows the on/off, heating/ non-heating state of the appliance

3

#### Heating mandrels made of brushed aluminum

non-stick heat-conducting surface

- quick heating of the mandrel and unbroken pastry

4

#### Separate control for each unit

I can control both parts of the Hot Dog independently

- better controllability and energy saving

# Technical data sheet



## Technical parameters

### Hot dog machine warmer 4 spikey with basket and glass cylinder

<b>Model</b>	<b>SAP Code</b>	00005542
--------------	-----------------	----------

**1. SAP Code:**

00005542

**2. Net Width [mm]:**

485

**3. Net Depth [mm]:**

315

**4. Net Height [mm]:**

353

**5. Net Weight [kg]:**

9.00

**6. Gross Width [mm]:**

340

**7. Gross depth [mm]:**

530

**8. Gross Height [mm]:**

350

**9. Gross Weight [kg]:**

10.00

**10. Device type:**

Electric unit

**11. Construction type of device:**

Table top

**12. Material:**

Aluminium

**13. Power electric [kW]:**

1.100

**14. Loading:**

230 V / 1N - 50 Hz

**15. Maximum device temperature [°C]:**

100

**16. Protection of controls:**

IPX4

**17. Energy Saving system:**

Energy saving mode

**18. Indicators:**

operation and warm-up

**19. False bottom:**

Yes